

NEW!

THE BLACKBIRD™ : UP TO 7000 WATTS AC POWER DIRECT FROM YOUR ENGINE

THE BLACKBIRD™ FEATURES:

- 5000 or 7000 watt models
- 120/240VAC - 60Hz pure sine
- Clutched belt drive
- Speed independent
- No hydraulic fluids, hoses or valves
- No inverters or converters
- Three year warranty



Both models available for many popular vehicles.



The Blackbird can meet the power needs of a wide range of emergency, construction and utility vehicles



207-721-1044

www.raventechpower.com

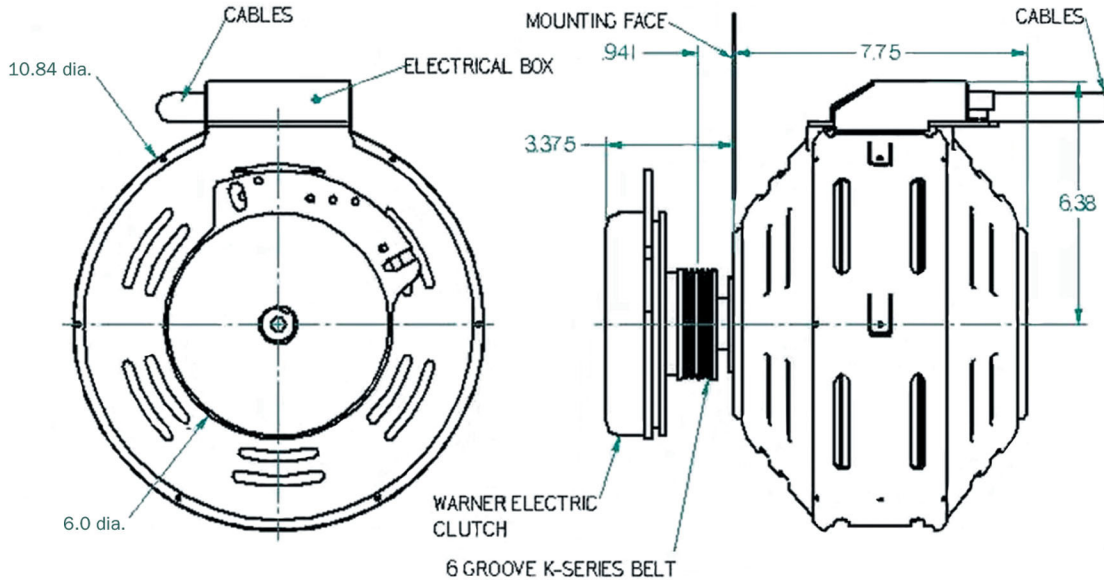
14 Industrial Parkway, Brunswick, Maine 04011

e-mail: sales@raventechpower.com

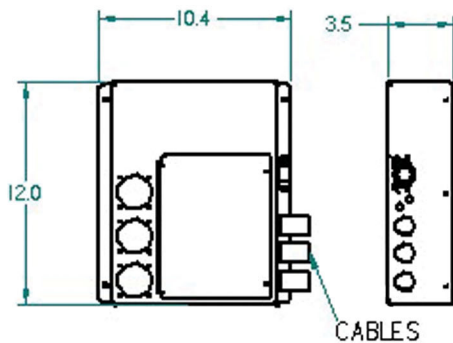
BLACKBIRD™ SPECIFICATIONS

DIMENSIONS IN INCHES

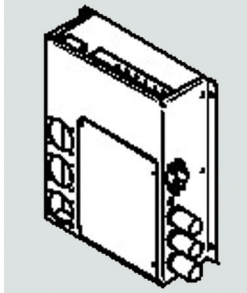
5kW and 7kW Generator



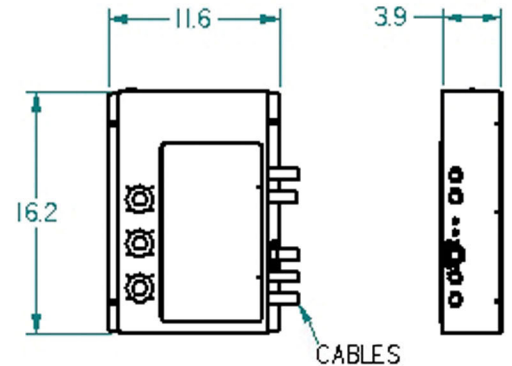
5kW Control Box



5kW and 7kW



7kW Control Box



Electrical Performance

	5kW	7kW
Voltage:	120 (118 ± 2%)	240 (230 ± 2%)
Continuous Output:	5000 Watts	7000 Watts
Phase:	Single	same
Output Frequency (Hz):	60 ± .5%	same
Continuous Output Current (Amps):	42	60
Input Voltage:	12 VDC	same
Input Current at 5kW:	16 Amps	same
Generator weight:	75 lbs.	same
Control Box weight:	10 lbs.	12 lbs.
Torque Requirements:	0-12 HP determined by output load	
Rotation Speed (Generator shaft):	Variable 3,000-10,000 RPM	



*Suitable for lights, electrical equipment and motors up to 1/2 hp.
Contact Raven regarding larger motor operation.*